

ACTISOL®

Compact Unit (110 vac)

B290300

B290300-18



OPERATING MANUAL

ACTISOL[®] COMPACT UNIT OPERATING MANUAL

Thank you and Congratulations on your choice of the Actisol[®] Compact Unit, a revolutionary insecticide delivery system that uniquely combines the technology of foggers, misters, refillable sprayers and prepackaged aerosols.

This refillable unit eliminates the need for costly prepackaged aerosols by mechanically generating the most optimum-sized, uniform insecticide particles. Its unique design allows you to treat more area per ounce than with pre-packaged aerosol products.

Its handy size and professional appearance make it a valuable tool for both residential and light commercial accounts. In addition, it gives you the flexibility of using a variety of insecticides that are EPA approved for use in this type of equipment.

Best of all, the Actisol[®] Compact Unit provides deep harborage insect control, something you won't get from pre-packaged aerosol products or conventional delivery systems. This system combines the right amount of insecticide with a high volume of moderately pressurized air to improve penetration through cracks and crevices to reach target insects deep within ceiling and wall voids. The Actisol[®] Compact Unit eliminates insects in places other delivery systems can't even reach.

Manufactured in the USA By:

**Environmental Delivery Systems, Inc.
314 Morningside Drive
Friendswood, TX 77546**

Table of Contents

OPERATING INSTRUCTIONS	Page 1
DIAGNOSIS AND FIELD SERVICE	Page 8
INSECTICIDES	Page 11
PARTS AND SERVICE	Page 14
COMPACT UNIT SPECIFICATIONS	Page 15
WAND	
Exploded Parts	Page 16
Item#’s, Product Codes and Descriptions	Page 17
CABINET	
Exploded Parts	Page 18
Item#’s, Product Codes and Descriptions	Page 19
Exploded Parts....Cont’d	Page 20
Item#’s, Product Codes and Descriptions....Cont’d	Page 21

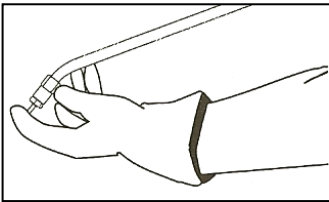
OPERATING INSTRUCTIONS

Handle with care.

Do not place the unit where vibration and surface conditions would allow it to fall. Keep the unit on the ground when in use.

1. Always wear personal protective equipment.

When filling these units always wear protective eyewear and protective gloves. When operating these units, always wear protective clothing, eyewear, chemical resistant rubber gloves, and a respirator. Refer to the insecticide label for specific instructions and other precautions.



2. Preparations and Guidelines when Making ULV Aerosol Applications. *(Mallis Handbook of Pest Control, 9th Edition)*

Refer to insecticide label for directions on proper preparation for area to be treated before operating this equipment. General preparation includes:

- Everyone in the treatment area must wear an approved respirator during treatment and when re-entering a treated area when the aerosol may still be present.

- Turn off all pilot lights or sources of open flame. Ventilation systems and air moving systems should be turned off. Appliances that routinely create high heat should be turned off. Computers and other electrical equipment should be turned off, covered, or removed from the treatment area.
- All non-pest management personnel must leave the treatment area. Cover or remove ornamental plants. Cover and seal all aquariums. Aquarium filters must be shut off and not turned back on until the aerosol is no longer present. Pets, including exotic pets (birds, amphibians, reptiles, arachnids) must be removed. Re-entry for exotic pets is not recommended for a period of 24 hours.
- All exposed food must be removed or placed in containers that will prevent contact with the insecticide. Food preparation utensils and surfaces must be covered or cleaned thoroughly before reuse.
- Close and lock all entry ways. Professionals may want to consider posting warning signs on doors opening into the treatment site.
- Open all doors, cabinets, storage areas, and drawers in the treatment area.
- Before reoccupation, thoroughly ventilate treatment area.
- Do not use gasoline powered equipment in grain mills, flour mills, grain storage, or grain processing areas. Grain/Flour dust may be highly explosive. Electric powered units must be certified as explosion proof for these sites. Check with manufacturers for details on certification.

3. Filter Insecticide and Fill Tank.

Remove Fill Cap. Filter insecticide by pouring slowly into fill neck and through the in-tank filter to remove any debris that may clog or damage the Actisol[®] Compact Unit.

With a 28 oz. tank capacity it is VERY IMPORTANT NOT TO OVERFILL WITH PRODUCT. The tank should only be about 80% full or about 20 oz.

4. Replace Fill Cap.

Turning the cap clockwise, hand-tighten until firmly secured.

5. Plug in / Turn on Power.

Plug the Actisol® Compact Unit into a three-prong grounded, 110/115-volt electrical source. Use a three-prong grounded heavy-duty extension cord, not longer than 50 feet, when operating this unit (Cord Not Included). Remove Red Tip Protector Cap. Switch the unit to the ON position using the Toggle Switch on top of unit.

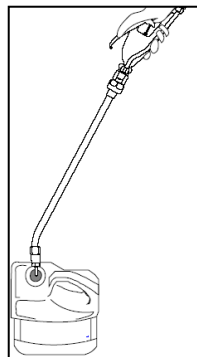
6. Adjust Regulator.

To adjust regulator, start by unlocking the safety lock located on the adjustment knob by pulling up on the knob. If a red ring is present, lift up on the red ring to unlock. Turn the knob slowly clockwise until the 0-30 psi back mount gauge reads 10 - 12 psi.

Note: The higher the pressure on the 0-30 gauge, the larger the insecticide particles will be. A higher pressure will be required when working overhead (above 6-8 ft.) to compensate for the effects of gravity. Adjust in 1 or 2 lb. increments to achieve desired flow and particle size.

7. Purge air bubbles.

Air pockets that develop may delay the shutoff of the aerosol after the trigger is released. To remove air pockets from the system turn the unit off, point the applicator tip into the original insecticide container, depress the trigger and wait until a pinstream flows from the tip. Hold for approximately 10 seconds to fully purge the system and allow for an uninterrupted pinstream.



8. Turn the unit on to begin use.

At this point the air flows freely through the twin tubing to the wand and excess air is vented to atmosphere at the tip. Next, the air flows into the regulator which controls the pressure exerted on the liquid inside the tank. The liquid product then travels through the second line of the twin tubing to the wand.

9. Apply insecticide.

Observe Label Directions.

Do not operate the Actisol[®] Compact Unit with insecticides that are not labeled for aerosol, fog, or mist applications. Read the insecticide label to determine if the insecticide is EPA-approved for use in this type of equipment. Contact your chosen distributor for information on insecticides currently labeled for use in equipment such as Actisol[®] Delivery Systems.

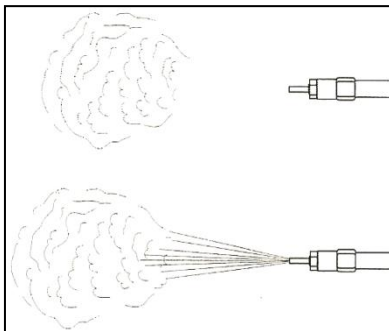
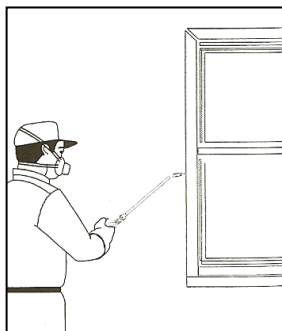


- A. Apply insecticide according to label instructions.
- B. Position the applicator tip on desired target.
- C. Depress the trigger to apply insecticide.

The compressed air is environmentally safe and much more effective than chemical propellants. The free flowing air stream will also disturb target insects even without the use of liquid. The continuous free flowing air stream allows for deeper penetration of the target areas.

The comfortable precision wand is balanced, easy to use, and easy to maintain. This unique wand is based on a common industry design making it simple to repair with easy access to replacement parts.

Note: Releasing the trigger and holding the tip in place allows the unit's constant airflow to push the already applied insecticide into deep harborage areas. When performed properly this technique improves penetration and reaches target insects more effectively using less insecticide than required by other techniques.



Helpful Hints: Occasionally, when working overhead, the pressure exerted on the liquid tank by the regulator will not be sufficient to drive the liquid 8-10 feet above floor level. At this time, you need to increase the pressure on the liquid tank by adjusting the regulator clockwise to the point you receive the aerosol at the tip and at the height you desire to work. When returning to ground level be sure to adjust regulator back to normal operating pressure.

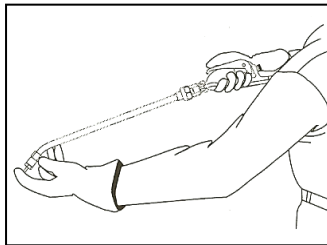
The aerosols that you've probably used in the past were driven by propellant. Therefore, you saw larger particles and most of the material that was visible was that of the propellant. The Actisol® System utilizes no propellant. All you are seeing is the pesticide that has been sheared into micron sized particles. 98% are in the 2.4 to 15 micron size range. By increasing the pressure on the liquid tank you only increase the flow rate. The result being, using more pesticide than is required to do the job.

10. Turn off unit / release pressure from tank.

When necessary, switch the unit to the OFF position.

To relieve pressure in the tank, press down on the pressure relief valve located on the top of the fill cap.

11. Back Flush System After Every Use to Remove Chemical From Wand and Hose. This procedure is highly recommended and is the most important maintenance you can do for your system.



- A. Switch unit to the ON position.
- B. Turn regulator knob counter clockwise until it stops.
- C. Relieve pressure in the tank by pressing down on the pressure relief valve.
- D. Unscrew fill cap by turning counter clockwise and remove.
- E. Holding the wand over the tank, place gloved finger over integrated stainless crack & crevice tip exit orifice, stopping the flow of air, then squeeze the application trigger until liquid is purged from the wand and hose.

You will hear a gurgling sound coming from the tank when the process is complete. This process should take about 10 seconds.

- F. Remove gloved finger from tip and release trigger.
- G. Switch unit to OFF position.
- H. Replace fill cap and tighten.
- I. Position red tip protector cap over tip of wand for transportation of unit.

Note: Back flush procedure should be performed after each use. This will help protect the polyurethane rubber hose in the wand and the 15' red twin coiled tubing and prevents unwanted spillage during transportation.

12. Draining the Tank.

Drain the Actisol[®] Compact Unit's tank when changing insecticides or storing for an extended period of time. The unique pour dry design of the tank allows you to remove all materials from the tank by simply tilting the unit over a funnel and returning the product to its original container.

- A. Follow instructions to properly backflush unit.
- B. Remove the Drop in Tank Filter.
- C. With the side closest to the gauge facing toward you, rotate the unit slowly away from you upside down, and pour remaining insecticide through a funnel and into the original container.

13. Transporting the Unit.

Transport the Actisol[®] Compact Unit in an upright position. Take care not to damage the Integrated Crack & Crevice Tip by positioning the Red Tip Protector Cap over tip of wand.

DIAGNOSIS AND FIELD SERVICE

1. The unit is running and air is flowing from the tip, but no chemical aerosol is being produced.

A. Make sure the tank contains insecticide.

B. Check 15' Twin Tubing for kinks, crimps, twists, or other factors that would obstruct chemical flow to the wand.

C. Check the 0-30 pressure gauge.

With the compressor running, it should read 10-12 psi.

D. Be sure air pressure is reaching the wand tip.

You should be able to hear and feel air flowing from the tip of the wand.

E. Check for liquid flow with no air flow.

Turn unit off, leave pressure in the tank, point the wand into the original insecticide container, and depress the trigger until a pinstream flows from the tip.

If a pinstream flows from the tip with the compressor off and the tank under pressure:

Remove integrated crack & crevice tip. Exit orifice should be maintained at .046" or use a drill bit #56. Drill exit orifice to resize.

When used on abrasive surfaces the tip tends to close up reducing the amount of air that can escape resulting in excessive backpressure on the liquid.

Also, be sure that all orifices in the fluid cap are free of debris. Replace tip assembly and follow operating instructions to generate aerosol.

F. If no liquid flow or pin stream, inspect fluid cap by removing tip and removing any debris from all orifices.

2. The unit is running and the aerosol will not shut off at the tip when trigger is released.

A. Unit may have air pockets created by surfaces forcing air back into the tip during application.

To release air pockets depress trigger and hold while aerosol is released. You will see intermittent surges of aerosol, hold trigger until aerosol flows consistently without interruption.

Another method is to turn off the compressor and point tip into original insecticide container and squeeze trigger to produce a pin stream. Allow to flow until uninterrupted.

B. Teflon seat may be damaged or contain debris preventing positive shutoff.

First follow instructions for step number 11 of operating instructions to backflush liquid. Remove stainless airline by removing compression nut at the elbow to adapter body. Then remove adapter body attached to valve body. Check exposed seat for debris, nicks, and scratches. Replace if necessary. Also inspect seat stem surface for scratches or nicks. Replace if necessary.

3. Airflow is low and aerosol is too heavy at normal 10 – 12 psi operating pressure.

A. Fluid cap may be damaged.

Remove integrated crack & crevice tip. Inspect fluid cap for cracks and debris around the air holes. The wheel should be stationary. It should not wiggle, spin or be crooked or smashed.

B. Unit may be losing pressure due to a leak.

With pressure in the tank, turn unit off and inspect for leaks at the pressure relief valve and the tank cap o-ring. With the unit running inspect the 15' red coiled twin tubing and entire wand in areas where air could escape, such as welds or fittings. Inspect for air leakage at the air chuck.

4. While working with wand over-head air is flowing from the tip, but no chemical aerosol is being produced.

A. A higher liquid pressure is necessary when wand is higher than 6' from unit. To compensate simply adjust regulator clockwise in one or two psi increments until desired flow is reached.

Note: When returning to ground level operations reduce pressure by turning regulator counter clockwise and releasing pressure from the tank by pushing the button on the pressure relief valve until reaching 10 - 12 psi on gauge.

5. Unit is turned on but motor just hums and does not start.

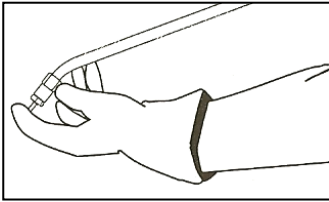
Contact Environmental Delivery Systems, Inc. 1-877-228-4765

If none of these solutions corrects your problem, there may be something more serious wrong with the unit. For additional technical assistance please contact Environmental Delivery Systems, Inc. Technical Services Department. 1-877-228-4765

INSECTICIDES

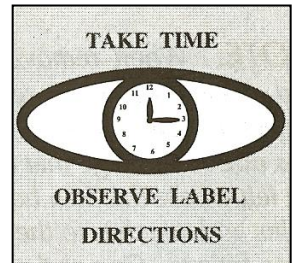
1. Always wear personal protective equipment.

When filling these units always wear protective eyewear and protective gloves. When operating these units, always wear protective clothing, eyewear, chemical resistant rubber gloves, and a respirator. Refer to the insecticide label for specific instructions and other precautions.



2. Observe Label Directions.

Do not operate the Actisol® Compact Unit with insecticides that are not labeled for aerosol, fog, or mist applications. Read the insecticide label to determine if the insecticide is EPA-approved for use in this type of equipment. Contact your chosen distributor for information on insecticides currently labeled for use in equipment such as Actisol® Delivery Systems.



3. Preparations and Guidelines when Making ULV Aerosol Applications. (*Mallis Handbook of Pest Control, 9th Edition*)

Refer to insecticide label for directions on proper preparation for area to be treated before operating this equipment. General preparation includes:

- Everyone in the treatment area must wear an approved respirator during treatment and when re-entering a treated area when the aerosol may still be present.

- Turn off all pilot lights or sources of open flame. Ventilation systems and air moving systems should be turned off. Appliances that routinely create high heat should be turned off. Computers and other electrical equipment should be turned off, covered, or removed from the treatment area.
- All non-pest management personnel must leave the treatment area. Cover or remove ornamental plants. Cover and seal all aquariums. Aquarium filters must be shut off and not turned back on until the aerosol is no longer present. Pets, including exotic pets (birds, amphibians, reptiles, arachnids) must be removed. Re-entry for exotic pets is not recommended for a period of 24 hours.
- All exposed food must be removed or placed in containers that will prevent contact with the insecticide. Food preparation utensils and surfaces must be covered or cleaned thoroughly before reuse.
- Close and lock all entry ways. Professionals may want to consider posting warning signs on doors opening into the treatment site.
- Open all doors, cabinets, storage areas, and drawers in the treatment area.
- Before reoccupation, thoroughly ventilate treatment area.
- Do not use gasoline powered equipment in grain mills, flour mills, grain storage, or grain processing areas. Grain/Flour dust may be highly explosive. Electric powered units must be certified as explosion proof for these sites. Check with manufacturers for details on certification.

PARTS

Parts for the Actisol[®] Compact Unit can be ordered through your chosen distributor. Or, for your convenience, we maintain a large inventory of replacement parts which can easily be ordered and shipped directly from our factory to you.

Call Today: 1877 ACTISOL (1-877-228-4765)



SERVICE

If the Actisol[®] Compact Unit requires factory service be sure to drain the tank, back flush the wand and hose, and pack the unit in its original carton and packing material for shipping. If the original carton is not available, pack the unit a durable box and protect the unit as best you can. If using foam packing materials be sure to place the unit in a plastic bag before adding materials to carton.

Ship the unit with a description of the problem, a contact name and phone number, and a return shipping address to:

Environmental Delivery Systems, Inc.

314 Morningside Drive

Friendswood, TX 77546

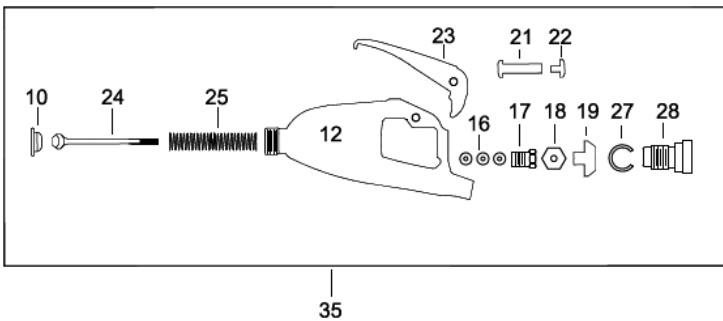
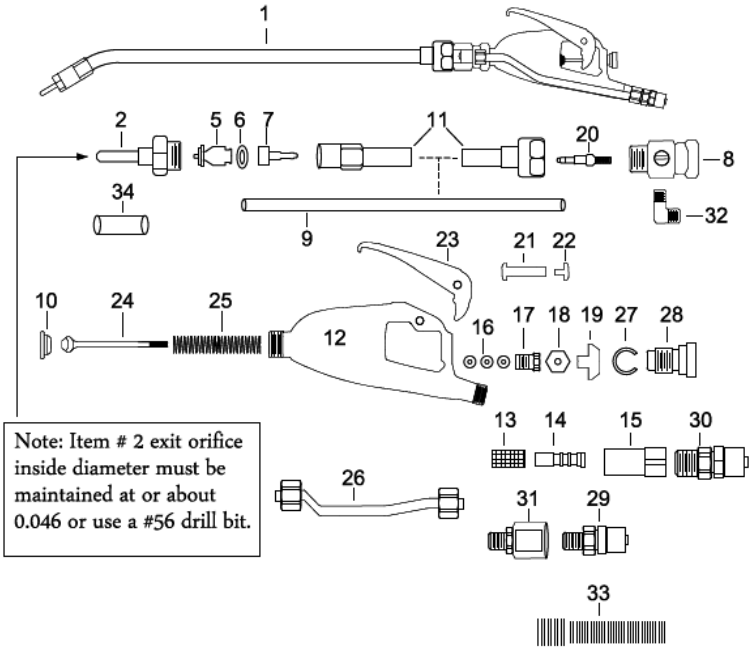
NOTE: Post Warranty service will be billed for parts, labor, packaging (if needed), and freight.

HINT: Be sure to save your original factory packaging for future use. Should your unit require factory service this specially designed packaging is proven to protect your system during shipping. If units are sent to the factory for service, our policy is to return the units in original factory packaging. If you return your unit in original factory packaging you will not be charged for new packaging unless that packaging is soiled with chemical and/or unable to protect your unit.

COMPACT UNIT SPECIFICATIONS

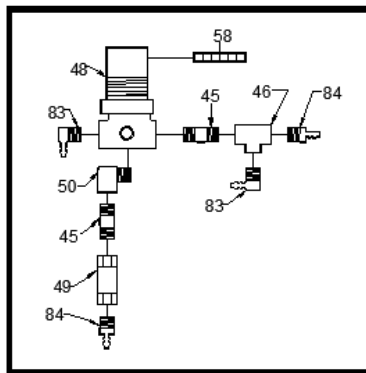
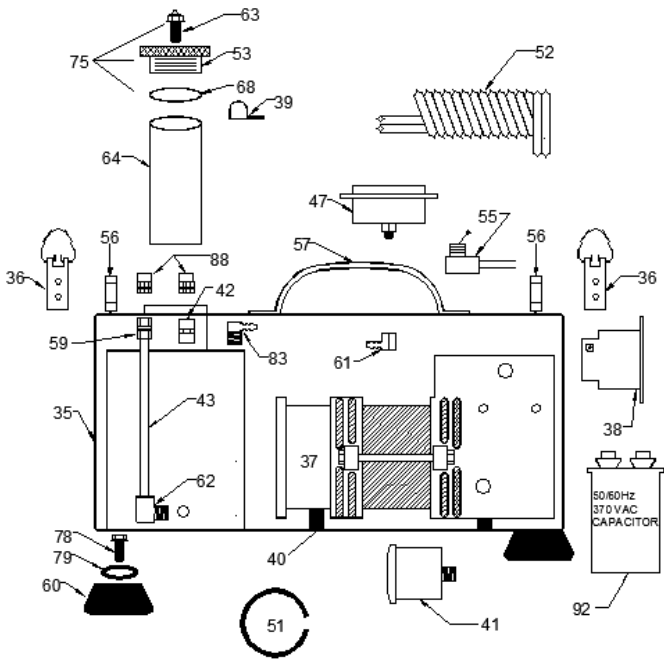
Length	13.5"
Width	6.75"
Height	7.00"
Weight (empty)	16 lbs.
Weight (full)	17.5 lbs.
Shipping Weight	21 lbs.
Tank Capacity	28 oz. (Only fill to 20 oz.)
Operating Pressure (air)	20 psi
Operating Pressure (liquid)	9-20 psi
Motor	110 v AC, 60 Hz, 2.5 amps, 275 watts
	115 v AC, 60 Hz, 2.6 amps, 299 watts
Compressor Type	Diaphragm

Actisol[®] Wand - 12" or 18"



NO.	ITEM	DESCRIPTION
1	3000112 or 3000118	12" or 18" Wand Complete
2	300183	Integrated Stainless Extended C & C Tip
5	30005	Stainless Fluid Cap
6	30006	"O" Ring for Fluid Cap
7	30007	Exit Hose Shank
8	30008	Adapter Body
9	30009-12 or 18	12" or 18" Poly Tubing for Wand
10	8010009	Teflon Seat
11	300011-12 or 18	12" or 18" Stainless Extension
12	8010011	Valve Body for Wand
13	8010013	Monel Screen 50m
14	8010014	Screen Support
15	8010015	Strainer Housing
16	8010016	Teflon Packing
17	8010017	Packing Screw
18	8010018	Lock Nut
19	8010019	Brass Nut
20	500019	Inlet Hose Shank
21	8010020	Screw Housing
22	8010021	Screw
23	8010022	Steel Trigger
24	300023	Stem Sub Assembly
25	300024	Spring Type 302-2
26	300026	Stainless Airline for Wand
27	300027	Snap Ring
28	300028	Safety Lock Screw
29	8010049	1/8" Ferrules Tube Fitting
30	8010050	1/4" Ferrules Tube Fitting
31	8010055	1/8" FNPT 1/4" Compression
32	8010061	1/8" NPT X 1/4" Compression Elbow
33	300076	Spring Guard for Wand
34	300093	Red Tip Protector Cap (Not Shown)
35	8010012	Valve Body Complete

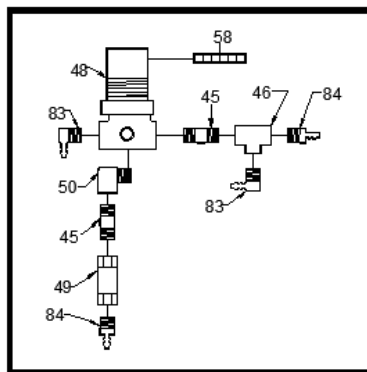
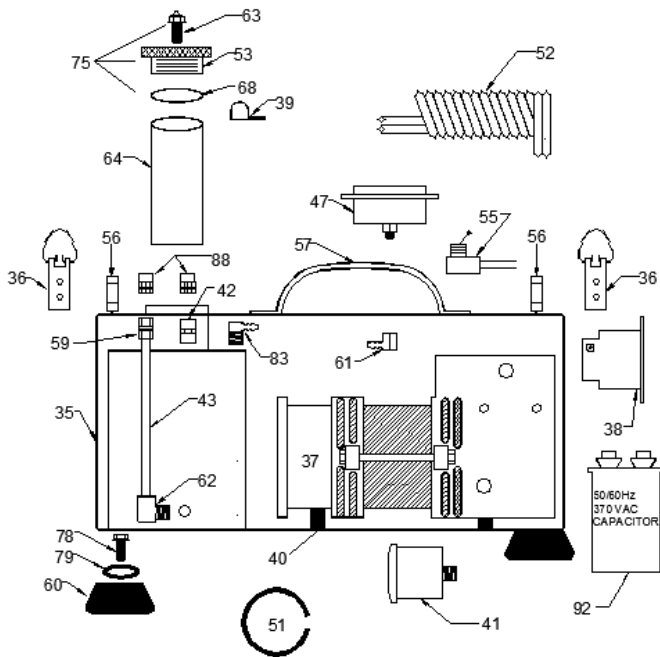
Actisol[®] Compact Unit Exploded



70

NO.	ITEM	DESCRIPTION
35	300029A	Aluminum Cabinet
	300029B	Aluminum Tank for Cabinet
	300029C	Cabinet Panel – 1
	300029D	Cabinet Panel - 2
36	300030	“D” Ring
37	3000313	Compressor
38	8010032	Flanged Electrical Inlet
39	8010035	Plastic Hose Clamp
40	300034	Compressor Mount / Isolator
41	300133	Compressor Intake Air Filter
42	300037	1/8” Female Coupling
43	8010038	1/4” Plastic Tubing
45	8010040	1/8” Hex Nipple
46	8010041	1/8” Female Tee
47	8010042	0-30 Panel Mount Gauge
48	8010043	1/8” Regulator
49	8020044	1/8” Viton Check Valve
50	8010045	1/8” Street Elbow
51	300046	Poly Grommet
52	8010047	15’ Red Twin Coiled Tubing
	300039	15’ Black Twin Coiled Tubing
	300132	15’ Blue Twin Coiled Tubing
53	300048	Threaded & Ported Tank Cap
55	8010051	Electrical On/Off Switch
56	8010052	Spring Clamp for Wand
57	8010060	Handle
58	8010054	Regulator Mount Nut
59	8010055	1/8” FNPT X 1/4” Compression
60	8010056	Shock Absorber Foot
61	300100	1/8” FNPT X 1/8 HB-90
62	8010061	1/8” NPT X 1/4” Compression Elbow
63	300063	1/8” Push Button Pressure Relief Valve

Actisol® Compact Unit Exploded



70

NO.	ITEM	DESCRIPTION
64	300064	Drop in Tank Filter
65	300071	#10 Sheet Metal Screws – Not Shown
66	300073	Shoulder Strap – Not Shown
67	8010068	Diaphragm for Compressor – Not Shown
68	300070	“O” Ring for Tank Cap
69	300080	Shipping Box (w / inserts) - Not Shown
70	8010075	Manifold Complete
71	300083	1/4” Tubing Support – Not Shown
72	300085	6/32 Stopnut - Not Shown
73	300086	8/32 X 3/8 Pan PHL MS - Not Shown
74	300087	8/32 Stopnut - Not Shown
75	300075	Tank Cap Complete
76	300088	10/32 X 3/8 Flat PHL MS - Not Shown
77	300089	10/32 Stopnut - Not Shown
78	300090	3/8 X 1/2 Socket Head Cap Screw
79	300091	3/8 Starwasher
80	300092	Wire 16g - Not Shown
81	300094	Compact Unit Sticker - Not Shown
82	300095	“IMPORTANT” Sticker - Not Shown
83	300098	1/8 NPT X 1/8 HB-90
84	300099	1/8 NPT X 1/8 HB
85	300082	1/4” Nylon Compression Sleeve – Not Shown
86	8010058	Insulated Ground Wire Connector - Not Shown
87	8010059	Insulated Female Wire Connector - Not Shown
88	8010049	1/8” Ferrules Tubing Fitting
92	300040	Capacitor
93	8010036	Aluminum Rivet – Not Shown
94	8010057	Insulated Male Wire Connector - Not Shown
95	300072	1/4” Polyurethane Tubing – Not Shown

PRODUCT LIMITED WARRANTY

Environmental Delivery Systems, Inc. and its products are warranted to be defect free in materials and workmanship under normal use, for a period of (1) year from the date of manufacture or (1) year of use, with proof of purchase. This limited warranty will not exceed (2) years, in any event.

Environmental Delivery Systems, Inc. shall not be liable for freight damage incurred during shipping. Package returns carefully. If the original carton is not available, pack the unit in a durable box and protect the unit as best you can. If using foam packing materials, be sure to place the unit in a plastic bag before adding materials to carton.

Environmental Delivery Systems, Inc.'s obligation under this warranty policy is limited to the repair or replacement of the unit. All returns will be tested per Environmental Delivery Systems, Inc. factory criteria. Units found not defective, under the terms of this limited warranty, are subject to the charges paid by the returnee.

Warranty replacement will be shipped on a freight allowed basis. Environmental Delivery Systems, Inc. reserves the right to choose the method of transportation.

This limited warranty is in lieu of all other warranties, expressed or implied, and no other person is authorized to give any other warranty or assume obligation or liability on Environmental Delivery Systems, Inc.'s behalf. Environmental Delivery Systems, Inc. shall not be liable for any labor, damage or other expense, nor shall Environmental Delivery Systems, Inc. be liable for any indirect, incidental or consequential damages of any kind incurred by the reason of the use or sale of any defective product or part.

Return Policy

All units must be flushed of any chemicals before shipping. Carriers, including U.S.P.S., airlines, UPS, ground freight, etc. require specific identification of any hazardous materials to be shipped. Failure to do so may result in a substantial fine and/or prison term. Check with your shipping company for specific instructions.

All Units must be flushed of any chemical (ref. OSHA Section 1910.1200 (d)(e)(f)(g)(h)) and **NO** hazardous chemicals will be accepted for service or warranty consideration. Environmental Delivery Systems, Inc. reserves the right to request a Material Safety Data Sheet from the returnee for any product it deems necessary. Environmental Delivery Systems, Inc. reserves the right to "disposition as scrap" any products returned which contain unknown fluids. Environmental Delivery Systems, Inc. reserves the right to charge the returnee for all costs incurred for chemical testing and proper disposal of components containing unknown fluids. Environmental Delivery Systems, Inc. requests this in order to protect the environment and personnel from the hazards of handling unknown fluids.

ACTISOL[®].COM

Environmental Delivery Systems, Inc.

314 Morningside Drive
Friendswood, TX 77546

1-877-ACTISOL

(1-877-228-4765)

(281)993-0019—Phone

(281)993-1112—Fax

www.actisol.com



"like" us on

facebook

facebook.com/Actisol