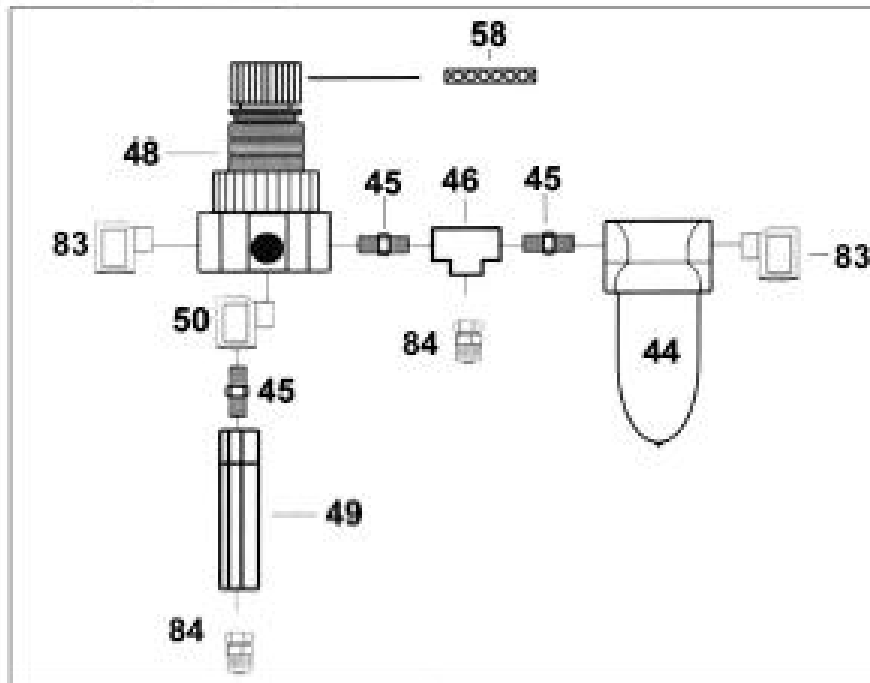
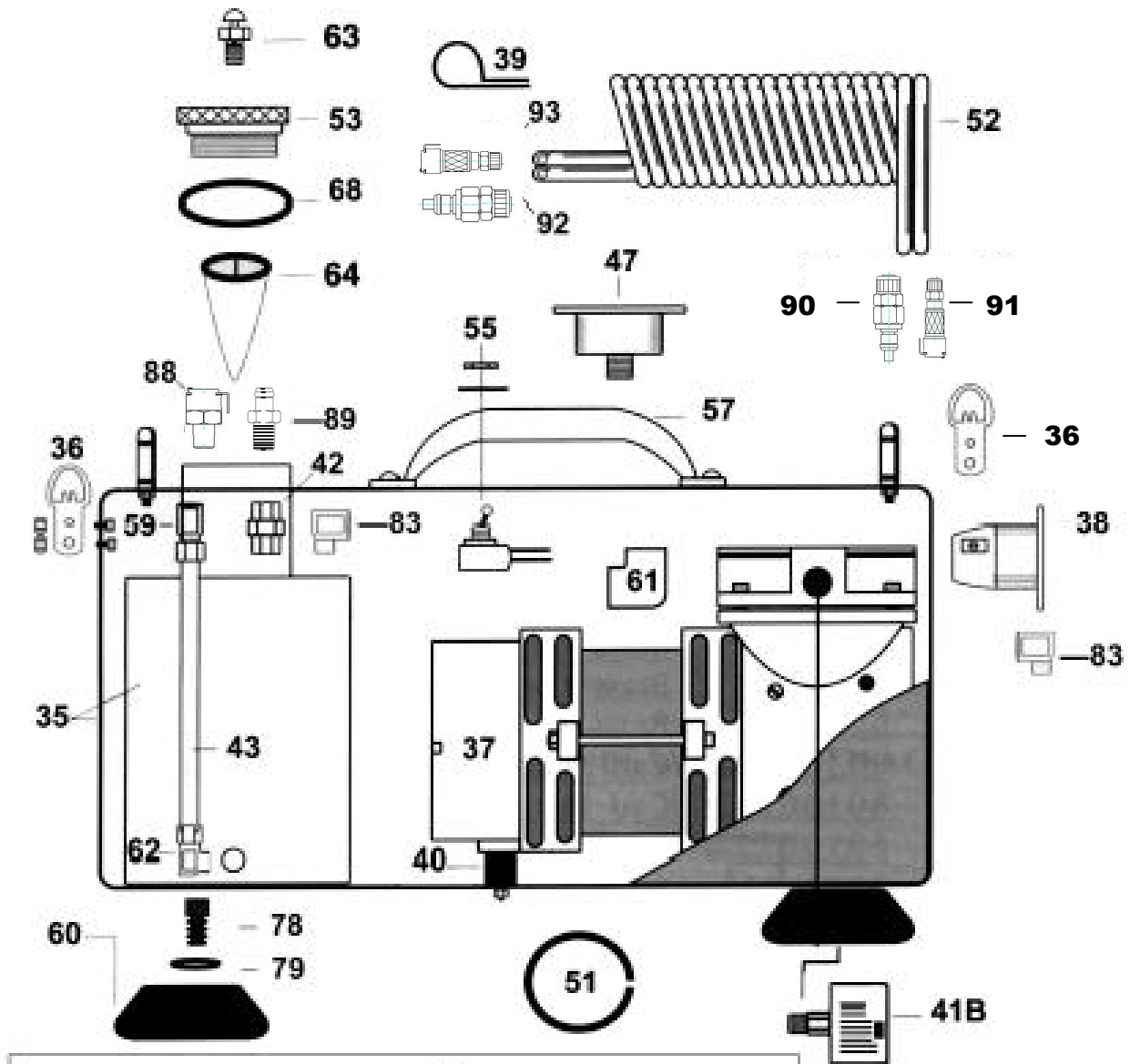


ACTISOL® NEW STYLE WAND – 18”

NO.	ITEM	DESCRIPTION
1	3000118	18ö Wand Complete
2	300183	Integrated Stainless Extended C & C Tip
3	30003	C & C Tip Poly Sleeve
5	30005	Stainless Fluid Cap
6	30006	öOö Ring for Fluid Cap
7	30007	Exit Hose Shank
8	30008	Adapter Body
9	30009-18	Poly Tubing for Wand - 18ö
10	8010009	Teflon Seat
11	300011-18	Stainless Extension - 18ö
12	8010011	Valve Body for Wand
13	8010013	Monel Screen 50m
14	8010014	Screen Support
15	8010015	Strainer Housing
16	8010016	Teflon Packing
17	8010017	Packing Screw
18	8010018	Lock Nut
19	8010019	Brass Nut
20	5000-19	Inlet Hose Shank
21	8010020	Screw Housing
22	8010021	Screw
23	8010022	Steel Trigger
24	300023	Stem Sub Assembly
25	300024	Spring Type 302-2
26	300026	Stainless Airline for Wand
27	300027	Snap Ring
28	300028	Safety Lock Screw
29	500103	1/8ö NPT X Insert
30	500101	1/4ö NPT X Coupling SO
31	8010055	1/8ö FNPT 1/4ö Compression
32	8010061	1/8ö NPT X 1/4ö Compression Elbow
33	300076	Spring Guard for Wand
34	300093	Red Tip Protector Cap
35	8010012	Valve Body Complete

ACTISOL® COMPACT UNIT 220v 50hz



ACTISOL® COMPACT UNIT 220v 50hz

ITEM #	CODE	DESCRIPTION
35	300029A	Aluminum Cabinet
	300029B	Aluminum Tank for Cabinet
	300029C	Cabinet Panel ó 1
	300029D	Cabinet Panel - 2
36	300030	õDö Ring
37	3000312	Compressor (220v 50hz)
38	8010031	Flanged Electrical Inlet
39	8010035	Plastic Hose Clamp
40	300034	Compressor Mount / Isolator
41	300133	Compressor Intake Air Filter
42	300037	1/8ö Female Coupling
43	8010038	1/4ö Plastic Tubing
44	8010039	1/8ö Moisture Filter
45	8010040	1/8ö Hex Nipple
46	8010041	1/8ö Female Tee
47	8010042	0-30 Panel Mount Gauge
48	8010043	1/8ö Regulator
49	8020044	1/8ö Viton Check Valve
50	8010045	1/8ö 90° Street Elbow
51	300046	Poly Grommet
52	8010047	15øRed Twin Coiled Tubing
53	300048	Threaded & Ported Tank Cap
55	8010051	Electrical On/Off Switch
56	8010052	Spring Clamp for Wand
57	8010053	Handle
58	8010054	Regulator Mount Nut
59	8010055	1/8ö FNPT X 1/4ö Compression
60	8010056	Shock Absorber Foot
61	300100	1/8ö FNPT X 1/8 HB-90
62	8010061	1/8ö NPT X 1/4ö Compression Elbow
63	300063	1/8ö Push Button Pressure Relief Valve
64	300064	Drop in Tank Filter
65	300071	#10 Sheet Metal Screws ó Not Shown
66	300073	Shoulder Strap ó Not Shown
67	8010068	Diaphragm for Compressor ó Not Shown
68	300070	õOö Ring for Tank Cap
70	8010075	Manifold Complete
85	8010057	Insulated Male Wire Connector - Not Shown
86	8010058	Insulated Ground Wire Connector - Not Shown
87	8010059	Insulated Female Wire Connector - Not Shown
75	8010036	Aluminum Rivet ó Not Shown

ITEM #	CODE	DESCRIPTION
71	300083	¼" Tubing Support ó Not Shown
72	300085	6/32 Stopnut - Not Shown
73	300086	8/32 X 3/8 Pan PHL MS - Not Shown
74	300087	8/32 Stopnut - Not Shown
76	300088	10/32 X 3/8 Flat PHL MS - Not Shown
77	300089	10/32 Stopnut - Not Shown
78	300090	3/8 X ½ Socket Head Cap Screw
79	300091	3/8 Starwasher
80	300092	Wire 16g - Not Shown
81	300094E	Compact Unit Sticker - Not Shown
82	300095	óIMPORTANTö Sticker - Not Shown
83	300098	1/8 NPT X 1/8 HB-90
84	300099	1/8 NPT X 1/8 HB
	300072	¼" Polyurethane Tubing ó Red - Not Shown
90 & 92	500081	1/8" FTF X Insert S.O.
	500094	O Ring for Quick Disconnect - Not Shown
88	500100	1/8" NPT X Coupling S.O.
89	500103	1/8" NPT X Insert
91 & 93	500105	1/8" FTF X Coupling
69	300080	Box (w / inserts) - Not Shown
	8020013	Female Connector 20 A